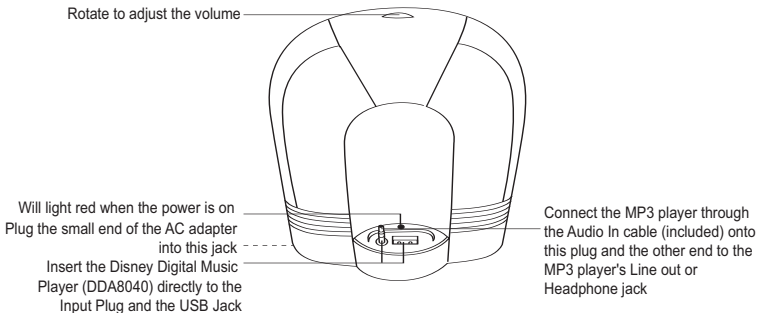


QUICK REFERENCE



SIMPLIFIED OPERATION FOR DISNEY DIGITAL MUSIC PLAYER (DDA8040)

1. Connect the AC adapter (included) to the AC outlet and the DC IN jack at the rear of the unit; the Power indicator will light red.
- 2a. To charge the rechargeable battery of the Disney Digital Music player (DDA8040), slide the Power switch (on the DDA8040) to the OFF position; then insert it directly onto the Audio Input plug and the USB jack to begin charging.
- 2b. To hear the music from the Disney Digital Music player (DDA8040), slide the Power switch (on the DDA8040) to the ON position and insert it directly onto the Audio Input plug and the USB jack. The Disney Digital Music player (DDA8040) will start playback automatically; the sound will be heard through the Speaker System and the lights around the speakers will flash randomly. Adjust the volume by rotating the Volume control at the top of the Speaker system and the Volume buttons on the Disney Digital Music player (DDA8040).
3. When finished, unplug the AC adapter and the Disney Digital Music player from the Speaker System.

SIMPLIFIED OPERATION FOR OTHER MP3 PLAYERS:

1. Insert the MP3 player through the Audio IN cable (included) to the Audio Input plug.
2. Connect the AC adapter (included) to the AC outlet and the DC IN jack at the rear of the unit; the Power indicator will light red.
3. Refer to the owner's manual of the MP3 player to start playback. The sound will be heard through the Speaker System and the light around the speakers will flash randomly. Adjust the volume by rotating the Volume control.
4. When finished, unplug the AC adapter and the MP3 player from the Speaker System.

SAFETY PRECAUTIONS



CAUTION

**RISK OF ELECTRIC SHOCK
DO NOT OPEN**



CAUTION: TO REDUCE THE RISK OF ELECTRIC SHOCK, DO NOT REMOVE COVER (OR BACK). NO USER-SERVICEABLE PARTS INSIDE. REFER SERVICING TO QUALIFIED SERVICE PERSONNEL.

This Caution Marking is located at the bottom enclosure of the unit.



DANGEROUS VOLTAGE:

The lightning flash with arrowhead symbol, within an equilateral triangle is intended to alert the user to the presence of uninsulated dangerous voltage within the product's enclosure that may be of sufficient magnitude to constitute a risk of electric shock to persons.



ATTENTION:

The exclamation point within an equilateral triangle is intended to alert the user to the presence of important operating and maintenance (servicing) instructions in the literature accompanying the appliance.

FCC WARNING:

This equipment may generate or use radio frequency energy. Changes or modifications to this equipment may cause harmful interference unless the modifications are expressly approved in the instruction manual. The user could lose the authority to operate this equipment if an unauthorized change or modification is made.

ATTENTION:

POUR ÉVITER LES CHOC ÉLECTRIQUES, INTRODUIRE LA LAME LA PLUS LARGE DE LA FICHE DANS LA BORNE CORRESPONDANTE DE LA PRISES ET POUSSER JUSQU'AU FOND.

SAFETY PRECAUTIONS

INFORMATION:

This equipment generates, uses and can radiate radio frequency energy and, if not installed and used in accordance with the instructions, may cause harmful interference to radio communications. However, there is no guarantee that interference will not occur in a particular installation. If this equipment does cause harmful interference to radio or television reception, which can be determined by turning the equipment off and on, the user is encouraged to try to correct the interference by one or more of the following measures:

- Reorient or relocate the receiving antenna.
- Increase the separation between the equipment and receiver.
- Connect the equipment into an outlet on a circuit different from that to which the receiver is connected.
- Consult the dealer or an experienced radio/TV technician for help.

WARNING: TO PREVENT FIRE OR SHOCK HAZARD, DO NOT EXPOSE THIS UNIT TO RAIN OR MOISTURE.

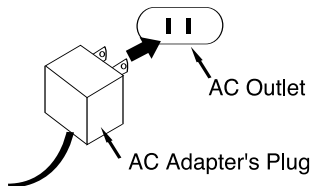
SURGE PROTECTORS:

It is recommended to use a surge protector for AC connection. Lightning and power surges ARE NOT covered under warranty for this product.

POWER SOURCE

USING AN ADAPTER (INCLUDED)

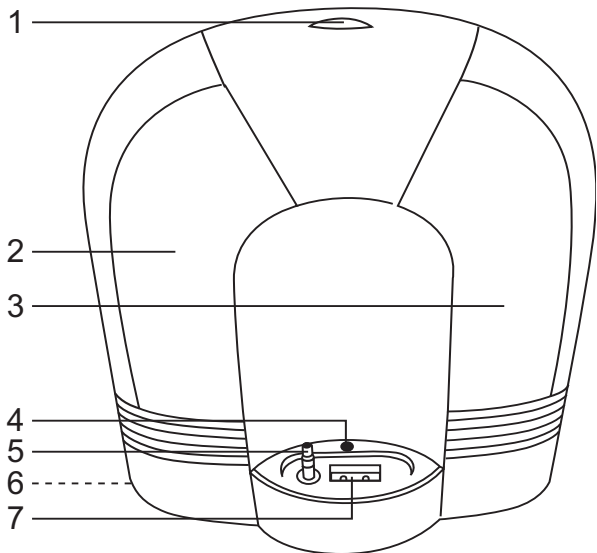
1. Plug the small end of the AC adapter into the DC IN jack on the rear of the unit.
2. Connect the other end (with two blades) into an AC outlet having 120V, 60Hz AC only; the Power indicator will light red when the AC adapter is connected.



NOTES:

- Only use the supplied AC adapter which has the following specs: DC 12V, 500mA $\ominus \rightleftarrows \oplus$.
- For the Disney Digital Music Player (DDA8040), while the player is turned off, directly connect it to the Audio Input plug and the USB jack, the Disney Digital Music Player's rechargeable battery will charge.

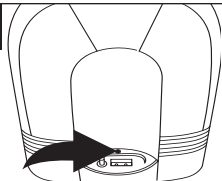
LOCATION OF CONTROLS



1. VOLUME Control
2. Left Speaker
3. Right Speaker
4. Power Indicator
5. Audio Input Plug
6. DC IN Jack (Rear of Unit)
7. USB Jack (Can only be used to recharge the battery of the Disney Digital Music player [DDA8040])

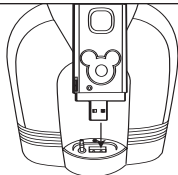
OPERATION

1



Connect the AC adapter as described on page 4; the Power indicator on the Speaker System will light red.

2



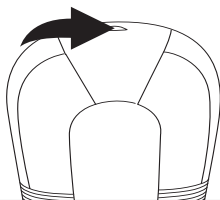
For the Disney Digital Music Player (DDA8040): Slide the Power switch on the DDA8040 to the ON position. Then insert the unit directly onto the Audio Input plug and the USB jack. After a few seconds, the unit will start playback automatically. The sound will be heard through the Speaker System and the lights around the speakers will flash randomly. **NOTE:** For the DDA8040, if the unit is in the Stop mode, after two minutes, it will start playback again automatically. If you don't want it to start playback again, you should unplug the unit from the Speaker System.

3



For another MP3 player: Connect the MP3 Player as described on the next page, then refer to the owner's manual of the MP3 Player to start playback. The sound will be heard through the Speaker System and the lights around the speakers will flash randomly.

4



Adjust the volume by rotating the Volume control at the top of the Speaker System and the Volume control of your MP3 player. When finished, unplug the Speaker System and the MP3 player.

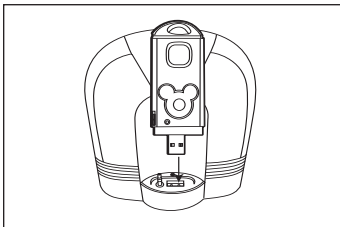
NOTE:

- If the lights around the speakers do not flash randomly during playback, increase the volume level of your MP3 player.

OPERATION (CONTINUED)

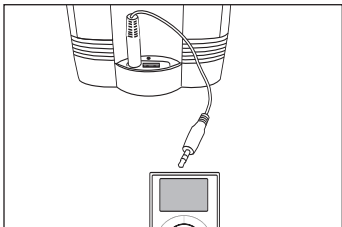
CONNECTING AN MP3 PLAYER

Connect the MP3 player to the Speaker System following one of the two connections below:



For Disney Digital Music Player (DDA8040), insert the unit directly onto the Audio Input plug and the USB jack.

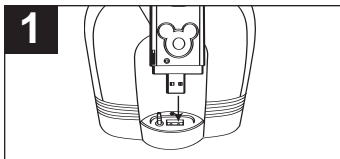
NOTE: Make sure to slide the Power switch on the Disney Digital Music Player (DDA8040) to the OFF position to charge the battery.



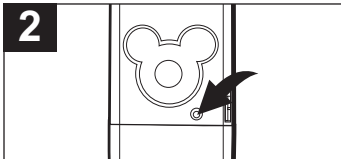
For other MP3 players, insert the Audio IN cable to the MP3 player's Line Out or Headphone jack and the other end to the Audio Input Plug of the Speaker System.

OPERATION (CONTINUED)

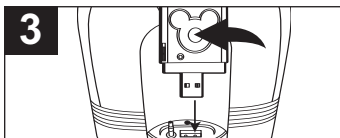
RECHARGING THE RECHARGEABLE BATTERY OF THE DISNEY DIGITAL MUSIC PLAYER (DDA8040)



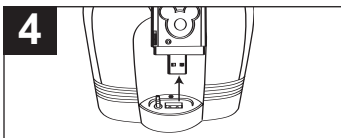
1 Slide the Power switch on the Disney Digital Music Player (DDA8040) to the OFF position, remove the USB Flash Plug cover and insert the unit directly onto the USB Jack and Audio Input Plug to charge up the rechargeable battery of the Disney Digital Music Player (DDA8040).



2 While charging the battery, the Function indicator on the Disney Digital Music Player (DDA8040) will flash green and red. The Function indicator will light green when fully charged. It takes approx. 2.5 to 3 hours to charge the battery from empty to full.



3 While charging, you can press the Play/Pause button on the DDA8040 to playback the music files from the DDA8040, the unit will stop when the music files from the DDA8040 have been played. **NOTE:** While charging, the Function indicator on the DDA8040 will continuously flash red and green, even though the DDA8040 is in Play mode.



4 When finished charging, remove the Disney Digital Music Player (DDA8040) from the Speaker System and unplug the AC adapter.

NOTE:

- To recharge the rechargeable battery of the Disney Digital Music Player (DDA8040), make sure you have turned off the unit before inserting it onto the USB jack. If you are playing music or the unit is already inserted into the USB jack and the Audio Input plug, you should unplug the player, then turn off the unit and insert it back onto the USB jack to start charging the battery.
- If charging is finished and you want to playback the music files from the Disney Digital Music Player (DDA8040), unplug the unit from the Speaker System. Then slide the Power switch on the DDA8040 to the ON position and insert it back onto the Speaker System to start playback.

SPECIFICATIONS

Power Requirement.....DC IN 12V
Speaker4 Ohms, 3W
Dimensions5 (W) x 6 (H) x 2.3 (D) Inches